

# RESIDENTIAL Preferred Parts®

The *premium line* of approved replacement parts.



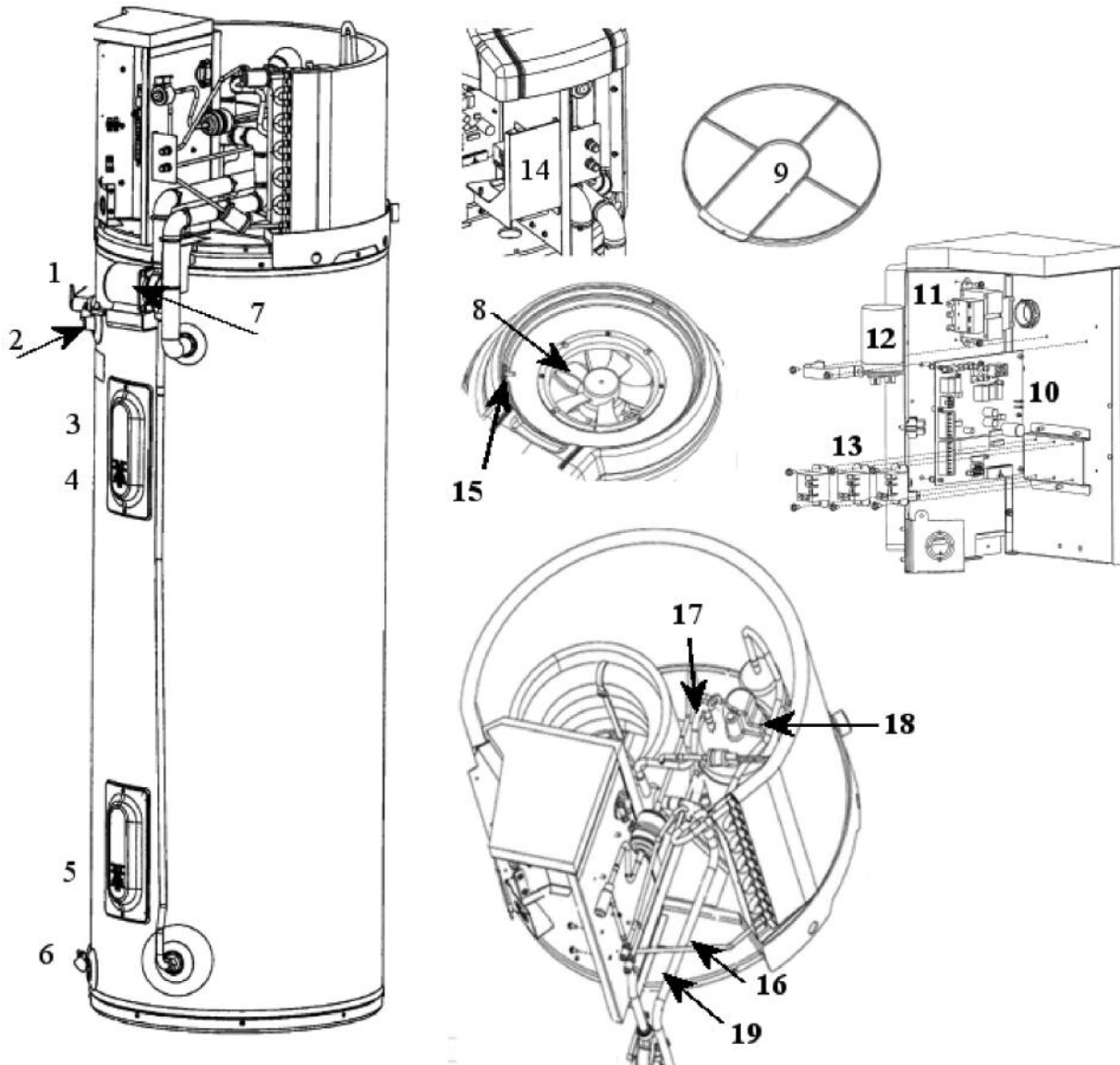
## Heat Pump Water Heater

- **T&P Relief Valve**  
SP12577G
  - **Hot Outlet J-Tube**  
SP8878N
  - **ECO & Upper Tank Sensor**  
SP15100
  - **Heating Element SS 2.5 KW Upper & Lower**  
SP10869HL
  - **Lower Tank Sensor**  
SP15228
  - **Brass Drain Valve**  
SP12112S
  - **Water Pump**  
38-103141-01
  - **Fan**  
70-103140-01
  - **Fan Filter**  
54-103049-01
  - **Circuit Board**  
47-103171-01
- **Transformer**  
46-101905-02
  - **Capacitor**  
43-25136-10
  - **Relay**  
42-101208-03
  - **Membrane Switch**  
Rheem – 47-103216-01  
Ruud – 47-103216-02  
Richmond – 47-103216-03  
EcoSense – 47-103216-04
  - **Ambient Thermistor**  
47-103122-01
  - **Evaporator Thermistor**  
47-103122-02
  - **Discharge Thermistor**  
47-103122-03
  - **Suction Thermistor**  
47-103122-04
  - **Water Out Thermistor**  
47-103122-05

**PARTS DIAGRAM  
ON PAGE 39**

# Residential Replacement Parts List

## HEAT PUMP WATER HEATER



Ref. No.	Part Description	Part Number	Qty. Req.
1.	T&P Relief Valve	SP12577G	1
2.	Hot Outlet J-Tube	SP8878N	1
3.	ECO & Upper Tank Sensor	SP15100	1
4.	Heating Element SS 2.5 KW (upper & lower)	SP10869HL	2
5.	Lower Tank Sensor	SP15228	1
6.	Brass Drain Valve	SP12112S	1
7.	Water Pump	38-103141-04	1
8.	Fan	70-103140-01	1
9.	Fan Filter	54-103049-01	1
10.	Circuit Board	47-103171-01	1
11.	Transformer	46-101905-02	1
12.	Capacitor	43-25136-10	1
13.	Relay	42-101208-03	3

Ref. No.	Part Description	Part Number	Qty. Req.
14.	Membrane Switch (user control)	--	--
	Membrane Switch (user control) - Rheem	47-103216-01	1
	Membrane Switch (user control) - Ruud	47-103216-02	1
	Membrane Switch (user control) - Richmond	47-103216-03	1
	Membrane Switch (user control) - EcoSense	47-103216-04	1
15.	Ambient Thermistor (not shown)	47-103122-01	1
16.	Evaporator Thermistor (not shown)	47-103122-02	1
17.	Discharge Thermistor (not shown)	47-103122-03	1
18.	Suction Thermistor (not shown)	47-103122-04	1
19.	Water Out Thermistor (not shown)	47-103122-05	1

# Replacement Parts.

## Instructions For Placing a Parts Order

Address parts orders to the distributor or store where the heater was purchased.

All parts orders should include:

- 1 The model and serial number of the water heater from the rating plate located on the tank jacket.
- 2 Specify voltage and wattage as marked on the rating plate.

- 3 Part description (as noted below) and number of parts desired.

**⚠ CAUTION: For your safety DO NOT attempt repair of electrical wiring, heating elements, heat pump or electronic controls. Refer repairs to qualified service personnel.**

